



Direct Driven Rotary Screw Compressor

ERS MODELS, 11-250kW, 7.5-10 BAR 1.7 - 42.50m³/min



Options

Inverter

P,A filter elements

Analog control options

60Hz electrical motor

Direct Driven Rotary Screw Compressor

Technical Specifications

- One stage oil injected air-end
- Silent working condition with direct driven design
- Frequency control (optional)
- High efficiency
- User friendly control panel

Advantages

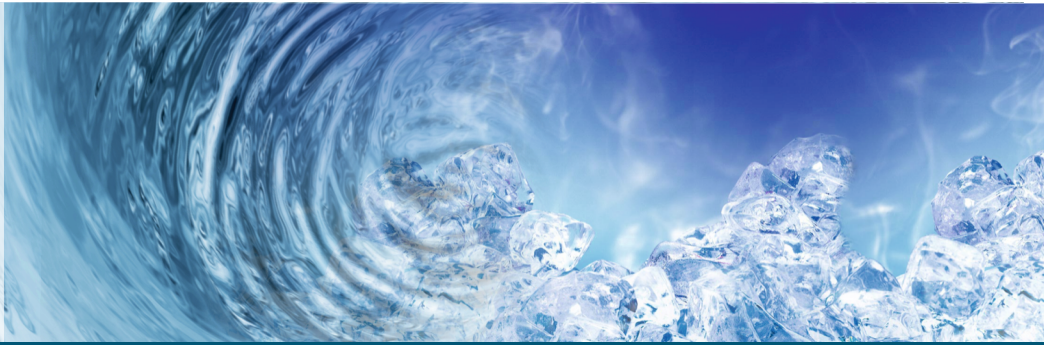
- Silent working condition with direct driven design
- Lower rpm values
- Easy maintenance
- Elastomeric coupling
- Low maintenance cost
- Higher efficiency
- Simple design
- 7/24 service support



High Efficiency

Low Cost

NEW



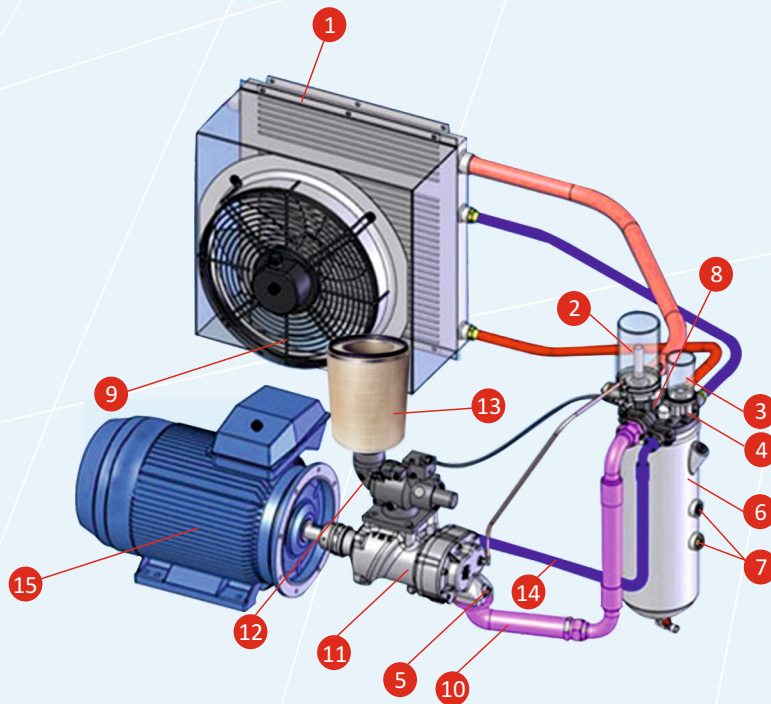
Direct Driven Rotary Screw Compressor

ERS MODELS, 11-250kW, 7.5-10 BAR 1.7 - 42.50m³/min

Model	Working Pressure (BAR)	Capacity			Motor Power		Dimensions
		m ³ /min	cfm	L/sec	kW	HP	
ERS 11 DD	8	1,71	60,39	28,50	11	15	1090 x 690 x 720
	10	1,50	52,96	25,00			
ERS 15 DD	8	2,60	91,82	43,33	15	20	1090 x 690 x 720
	10	1,98	69,92	33,00			
ERS 18.5 DD	8	2,87	101,35	47,83	18,5	25	800 x 1260 x 1265
	10	2,50	88,29	41,67			
ERS 22 DD	8	3,46	122,19	57,67	22	30	800 x 1260 x 1265
	10	3,20	113,00	53,33			
ERS 30 DD	8	4,96	175,16	82,67	30	40	1000 x 1600 x 1385
	10	4,60	162,44	76,67			
ERS 37 DD	8	6,13	216,47	102,17	37	50	1000 x 1600 x 1385
	10	4,60	162,44	76,67			
ERS 45 DD	8	7,44	262,74	124,00	45	60	1000 x 1700 x 1485
	10	6,70	236,60	111,67			
ERS 55 DD	8	10,00	355,00	165,00	55	55	1250 x 1350 x 1650
	10	8,00	280,00	135,00			
ERS 75 DD	8	11,90	420,89	198,33	75	75	1200 x 2400 x 1720
	10	10,50	371,37	175,00			
ERS 90 DD	8	15,50	548,22	258,33	90	125	1300 x 2400 x 1970
	10	13,10	463,33	218,33			
ERS 110 DD	8	18,00	636,64	300,00	110	150	1300 x 2400 x 1970
	10	15,70	555,29	261,67			
ERS 132 DD	8	23,50	831,17	391,67	132	180	1650 x 2450 x 2020
	10	20,80	735,68	346,67			
ERS 160 DD	8	28,20	997,41	470,00	160	220	1650 x 2450 x 2020
	10	23,30	824,10	388,33			
ERS 200 DD	7,5	36,40	1287,43	606,67	200	270	1800 x 2750 x 1940
ERS 250 DD	7,5	42,50	1503,18	708,33	250	340	1800 x 2750 x 1940



Optional VSD Series



1. Air/Oil Cooler
2. Air/Oil Separator
3. Oil Filter
4. Combination block
5. Temperature sensor
6. Oil Receiver
7. Oil level indicator
8. Pressure Sensor
9. Fan
10. Air/Oil outlet
11. Air - end
12. Intake Valve
13. Air Filter
14. Oil return
15. Electrical Motor